

NTK-02EX Electric Actuator

Only Available in ExdIIBT4 Explosion Proof

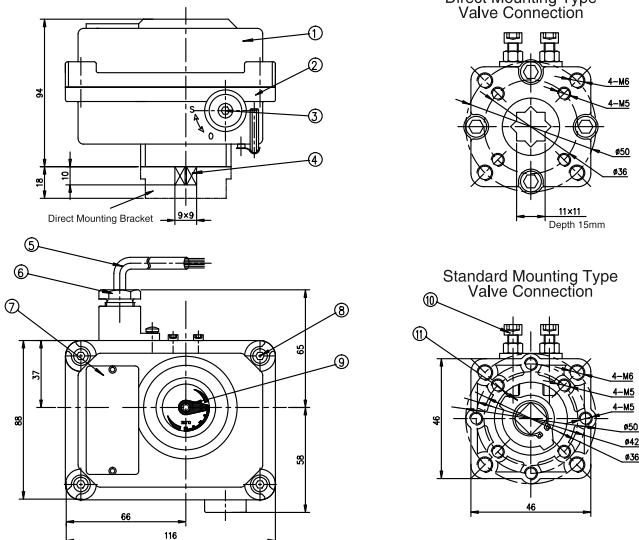
The smallest EX electric actuator in the world



Product Description

NTK-02EX Explosion-proof electric actuator is our latest developed ultra-compact device, controlling the valve's open and close like butterfly valves, ball valves, plug valves and other valves with 90° rotation. Widely used in production, transportation and storage where the places have explosion gas in coal, petroleum, metallurgy, chemical industry, food processing, military and other industrial production.

Dimension & Part List

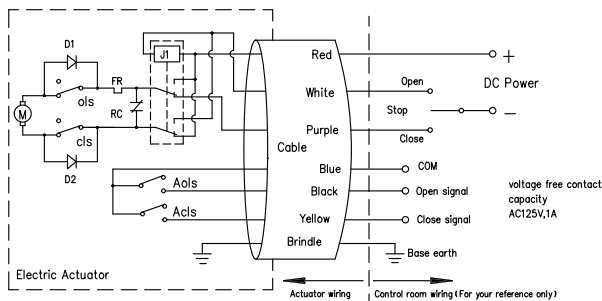


NO.	Name	Material/Specification
1	Top Cover	ADC12
2	Body	ADC12
3	Handle Lever Hole	4mm
4	Worm-wheel Shaft	303
5	Cable	0.3×7 Cable 1M
6	Cable Entry	45#
7	Nameplate	Stainless Steel
8	Hex Socket Screw	M5×18
9	Indicator	0-90°
10	Mechanical Limit Screw	M5×25
11	Mechanical Stopper	Alloy

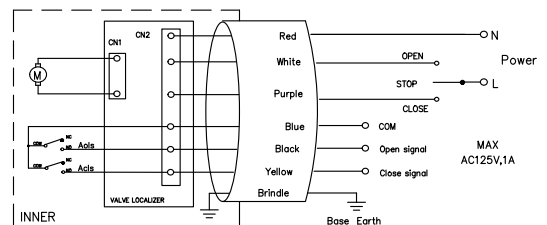


Model	NTK-02EX (On/off Type)		NTK-02EX (Modulating Type)
Voltage	DC24V	AC100~240V	DC24V, AC100~240V
Output Torque	24Nm		
Working Time	20Sec.		
Motor Power	6.8W		
Rated Current	0.42A(24VDC/AC); 0.11A(AC100~240V)		
Current	≤25mA	≤20mA	≤25mA
Rated Angle	0-90°		
Control Method	Fully Open, Fully Closed	Fully Open, Fully Closed	4-20mA / 0-10VDC
Feedback Signal	Fully open passive contact signal, Fully closed passive contact signal,	Fully open passive contact signal, Fully closed passive contact signal,	4-20mA / 0-10VDC
Indicator	With Arrow	With Full Open Red LED Arrow Full Closed Green LED	With Arrow
Enclosure Protection	IP67		
Basic Error	1%		
Insulated Resistance	≥100MΩ		
Insulated Strength	500VAC/1min(12V, 24V); 1500VAC/1min(100~240V)		
Wiring	7×0.3mm ² , 1m cable		
Protection Device	Open and close mechanical limit stopper		
Installation Angle	360° directional		
Power Off Operation	With handle lever		
Color	Black, milk white (other colors customized)		
Body Material	ADC12		

NTK-02EX (On/off Type, 24VDC) Diagram Wiring



NTK-02EX (On/off Type, 100~240VAC) Diagram Wiring

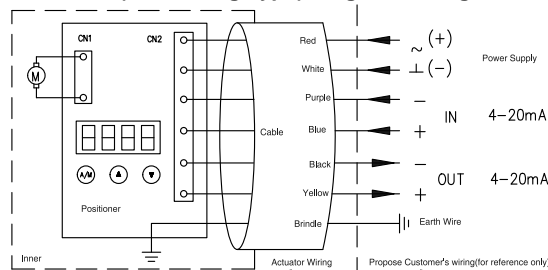


Wiring Instructions:

- 1.Red wire and "N" wire connected
- 2.White wire and "L" wire connected for "OPEN"
- 3.Purple wire and "L" wire connected for "CLOSE"
- 4.Blue wire is for common port
- 5.When there is fully opened, black wire about "fully open" signal
- 6.When there is fully closed, black wire about "fully closed" signal

Note: Two or several actuators in parallel connecting forbidden, also impossible to control the two or several actuators through one same contact in case of no action or out of control.

NTK-02EX (Modulating Type) Diagram Wiring



Wiring Instructions:

- 1.Red wire, White Wire with power supply connected
- 2.Purple wire, Blue wire are for input signal of external control
- 3.Black wire, Yellow wire are for output signal of feedback signal
- 4.Brindle wire is for Earth